

Controls ◊ Rugged ◊ Made in the USA  
Quality ◊ Industrial Foot Switches ◊ Quality ◊ Welding Controls ◊ Rugged ◊ Made in the USA  
Rugged ◊ Industrial Foot Switches ◊ Quality ◊ Industrial Foot Switches ◊ Quality ◊ Industrial Foot  
Made in the USA ◊ Welding Controls ◊ Rugged ◊ Made in the USA  
Quality ◊ Industrial Foot Switches ◊ Quality ◊ Rugged ◊ Industrial Foot  
Rugged ◊ Industrial Foot Switches ◊ Quality ◊ Rugged ◊ Industrial Foot  
Made in the USA ◊ Industrial Foot Switches ◊ Quality ◊ Rugged ◊ Industrial Foot  
Quality ◊ Industrial Foot Switches ◊ Quality ◊ Rugged ◊ Industrial Foot  
Made in the USA



**THE SSC CONTROLS COMPANY**

# TABLE OF CONTENTS

Section .....	Page
About SSC .....	3
Applications .....	4
Foot Switch Selection Guide .....	5
Heavy-Duty Foot Switches (G Series) .....	6
Medium-Duty Foot Switches (F Series) .....	14
Light-Duty Foot Switches (S Series) .....	18
Light-Duty Dual Foot Switches (DS100) .....	20
Light-Duty Foot Switches (B Series) .....	22
Potentiometer Foot Controls .....	24
TIG Welding Controls .....	28
Glossary .....	30
IP Ratings & Enclosures .....	32
Warranty Commitment .....	33
Safety Warning .....	35



# ABOUT SSC AND OUR PRODUCTS

## Made in USA

All SSC products are designed and assembled at our manufacturing plant in Ohio using U.S. and foreign components.



## Built Tough

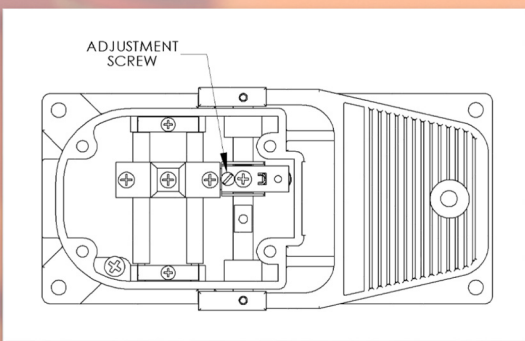
Every SSC product design is tested to 1,000,000 lifecycles and undergoes an advanced drop, impact, environmental, and durability testing program prior to release.

## Quality Products

We have built our reputation on quality over the past 20 years, and it shows. We take care to ensure that each input comes together to make a product that will beat your expectations.

## Customer Service and Support

Knowledgeable, capable, and thorough customer service can answer your questions or concerns on the first call. It makes dealing with SSC easy and gives you confidence in the product and its sustainability over time.



## Engineering and Technology

Our dedicated and experienced engineering staff is ready to provide the right solution for your OEM application.

## Warranty and Money-Back Guarantee

All SSC products are backed by a 1-year warranty on parts and labor as well as a 30-day money-back guarantee.

# APPLICATIONS

SSC's foot switches are used in numerous applications encompassing industrial, office, medical, and many more industries.

- Abrasive Sand Blasting**
- Adhesive Applicators and Dispensers**
- Alarms and Security Systems**
- Communications**
- Conveyers**
- Degreasing Equipment**
- Electric Vehicles**
- Emergency Vehicles (Siren / Horn)**
- Engravers and Stenciling**
- Farming Equipment**
- Food Processing / Meat Grinders**
- Gates and Entryways**
- GPS Tracking**
- Lighting**
- Man Lifts**
- Material Handling**
- Metalworking Machines**
- Motor Speed Controls**
- Packaging Equipment**
- Photography**
- Resistance Welding**
- Riveting**
- Scissor Lift Tables**
- Soldering Machines**
- Wire Terminal Application Machines**
- UV Curing**
- Welding Equipment**





# FOOT SWITCH SELECTION GUIDE

Foot switches can be used to turn electrical equipment on and off with the foot, freeing the hands to perform other operations or providing ergonomic improvement to a workstation. Foot switch applications often require different sizes and shapes, enclosures, electrical ratings, pedal actions, connectors, cords, and other variations. Contact us today with your requirements.

## Choose the foot switch that's right for your application:

- Proper Current and Voltage Rating
- Enclosure Rating — Indoor, Outdoor, Hosedown, Etc.
- Size and Shape — Large or Small
- Appearance and Color
- Pre-Wired or Do-It-Yourself Cabling
- Single or Multiple Pedal
- Guard or No Guard



## Foot Switch Pedal Action

There are two main types of pedal action: momentary and maintained.

**Momentary Action** — Press and hold to turn on, release to turn off (like a car horn). The user must continue to press the pedal to keep it on. As soon as the user lifts his or her foot, the unit will turn off.

**Maintained Action** — Press once to turn on, press again to turn off (like a light switch). The unit will stay on until the user presses forward a latch inside the hood (G-Series) or simply presses the other end of the pedal (S420-Series) to release it back to the "off" position. The F300 also offers push on / push off maintained action.

## Safety and Selection

**WARNING: Before selecting or using any foot switch, read the safety warning on page 35.** Only the user can be aware of all conditions and factors present during the setup, operation, and maintenance of a machine; therefore, only the user can determine which foot switch(es) should be selected for an application. Safety options can include guards to protect against accidental activation, anti-trip safety latches (G-Series only), and front access gates.

## Electrical Considerations

Typically, foot switches contain SPDT contacts that are wired "normally open." That is, the switch is open, or "off," when not in use. Choosing the proper current and voltage rating for a foot switch application will depend on the circuit the foot switch is attached to. The amount of electrical current that will flow through the circuit will determine the amperage rating required for the foot switch. Consult a certified electrician with any questions to determine the amperage, voltage, and power requirements for your application.

# CUSTOMIZATION – OEM VARIATIONS

At SSC, our design team is ready to provide solutions for OEM foot control applications that require special features beyond what is offered in our standard foot controls. Some options include:

Cordsets Customized for the Application

Private Labeling (Informational Labels)

Custom Nameplates

Gold Alloy Contacts

Multi-Pedal Controls

Paint Finishes – Specialized Colors

Certifications – CSA, UL, CE, Etc.

RoHS (Restriction of Hazardous Substances)

Enclosures (Indoor, Outdoor, Hosedown, Etc.)

Handle Options

Strain Reliefs

Mounting Adaptations

# G-SERIES

**Professional. Rugged. Reliable. Affordable.**

**Design features:**

- Heavy-duty all-aluminum construction for industrial environments — rugged design will not rust or break when dropped.
- Suitable for both indoor and outdoor use when properly connected (enclosure type 2, 4, & 13).
- 20 amp @ 125/250 VAC Honeywell® industrial switching power.
- Guard opening sized to fit even large boot sizes.
- Powder-painted Safety Orange finish.
- 3/4"-14 N.P.T. threaded conduit entry.
- 3- or 4-point mounting with optional 3M® bumper feet.
- Form C circuitry (SPDT) is standard.
- Form Z circuitry: For double break circuitry, add “-DB” to the end of the model number (15 A, 125/250 VAC; 1 A, 125 VDC; .5 A, 250 VDC).




Dimensions (L x W x H): 9.2" x 6.2" x 5.5"

Weight: 5 pounds

Finish: powder paint, safety orange

Enclosure rating: IP-56; UL/CSA/NEMA Type 2, 4, & 13

Foot switch safety warning — see page 35.

Model	Action*	Switches	Stages	Contacts, per Switch	Electrical Rating	Certifications
G500-MO	Momentary	1	1	SPDT	20 A, 125/250 VAC 1 HP, 125 VAC 2 HP, 250 VAC .5 A, 125 VDC .25 A, 250 VDC 10 A, 125 VAC "L"	 (Certified to CSA and UL standards)
G500-MA	Maintained	1	1	SPDT		
G500-AT	Anti-Trip	1	1	SPDT		
G502-MO	Momentary	2	1	SPDT		
G502-MA	Maintained	2	1	SPDT		
G502-AT	Anti-Trip	2	1	SPDT		
G502-MO-2S	Momentary	2	2	SPDT		
G502-AT-2S	Anti-Trip	2	2	SPDT		

\*Available with 3 action types: Momentary (press and hold to turn on, release to turn off), Maintained (press to turn on, push latch to turn off), and Anti-Trip (push forward safety latch before pressing down). Units with two switches may be adjusted as DPDT or as two SPDT switches activating separately.



SSC Controls Company  
 8909 East Avenue • Mentor, Ohio 44060 • USA • Phone 440-205-1600 • Fax 440-205-1700  
[www.ssccontrols.com](http://www.ssccontrols.com)



## Same performance as the G-Series, but without the guard.

### Design features:

- For applications that don't require the guard, but still need the ruggedness of the G-Series construction.
- Same 20 amp @ 125/250 VAC electrical rating with high-performance Honeywell® switches.
- 3/4"-14 N.P.T. threaded conduit entry.
- Powder-painted Safety Orange finish.
- Can be bolted to the floor or used with included bumper feet.
- Suitable for both indoor and outdoor use when properly connected (enclosure type 2, 4, & 13).



Dimensions (L x W x H): 8.4" x 4.0" x 2.5"


Weight: 4.5 pounds

Finish: powder paint, safety orange

Enclosure ratings: IP-56; UL/CSA/NEMA Type 2, 4, & 13

Picture shows unit with Anti-Trip latch (-AT option).

Foot switch safety warning — see page 35.

Model	Action*	Switches	Stages	Contacts, per Switch	Electrical Rating	Certifications
GX500-MO	Momentary	1	1	SPDT	20 A, 125/250 VAC 1 HP, 125 VAC 2 HP, 250 VAC .5 A, 125 VDC .25 A, 250 VDC 10 A, 125 VAC "L"	 (Certified to CSA and UL standards)
GX500-MA	Maintained	1	1	SPDT		
GX500-AT	Anti-Trip	1	1	SPDT		
GX502-MO	Momentary	2	1	SPDT		
GX502-MA	Maintained	2	1	SPDT		
GX502-AT	Anti-Trip	2	1	SPDT		
GX502-MO-2S	Momentary	2	2	SPDT		
GX502-AT-2S	Anti-Trip	2	2	SPDT		
GX503-MO	Momentary	3	1	SPDT		

\*Available with 3 action types: Momentary (press and hold to turn on, release to turn off), Maintained (press to turn on, push latch to turn off), and Anti-Trip (push forward safety latch before pressing down). Units with two switches may be adjusted as DPDT or as two SPDT switches activating separately.

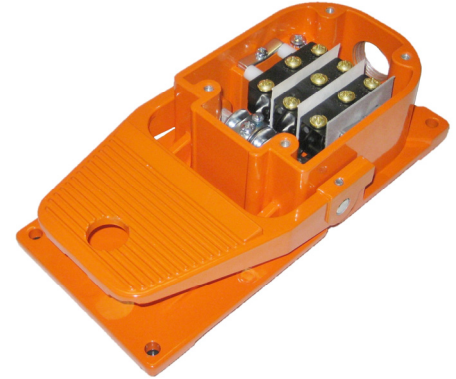


# G503 TRIPLE SWITCH

**Great for switching three circuits at once, or set to operate 1-2-3.**

**Design features:**

- Includes three 20 amp @ 125/250 VAC Honeywell® switches in each unit.
- Heavy-duty all-aluminum construction for industrial environments.
- The switches can be set to operate at the same time, or at different times as the pedal is pressed down.
- Standard G-Series features including oversized guard and rugged construction that will not break when dropped.
- 3/4"-14 N.P.T. threaded conduit entry.
- Suitable for both indoor and outdoor use when properly connected (enclosure type 2, 4, & 13).
- Can be equipped with SPDT or SPDT-DB (double-break) switches.



Dimensions (L x W x H): 9.2" x 6.2" x 5.5"

Weight: 5 pounds

Finish: powder paint, safety orange

Enclosure rating: IP-56; UL Type 2, 4, & 13

Foot switch safety warning — see page 35.

Model	Action*	Switches	Stages	Contacts, per Switch	Electrical Rating	Circuit Diagram	Certification
G503-MO	Momentary	3	1	SPDT	20 A, 125/250 VAC 1 HP, 125 VAC 2 HP, 250 VAC .5 A, 125 VDC .25 A, 250 VDC 10 A, 125 VAC "L"		
G503-MA	Maintained	3	1	SPDT			
G503-AT	Anti-Trip	3	1	SPDT			
G503-MO-2S	Momentary	3	2	SPDT			
G503-AT-2S	Anti-Trip	3	2	SPDT			

\*Available with 3 action types: Momentary (press and hold to turn on, release to turn off), Maintained (press to turn on, push latch to turn off), and Anti-Trip (push forward safety latch before pressing down).



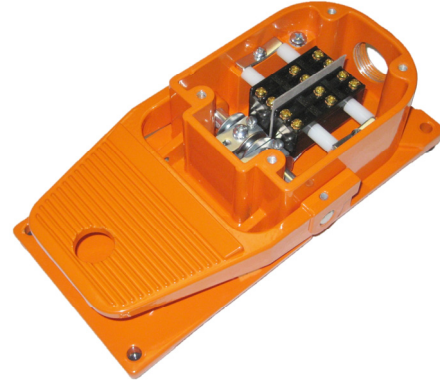


# G504 DUAL DPDT FOOT SWITCH

**Four independent circuits. Set to actuate simultaneously or 2/2.**

**Design features:**

- Ideal for controlling up to four independent circuits.
- Consists of two switches, each with DPDT circuitry.
- Each circuit is rated 10 amps @ 125/250 VAC.
- Can be set so both switches go off at the same time, or so the first two activate before the second two.
- Standard G-Series features including oversized guard and rugged construction that will not break when dropped.
- 3/4"-14 N.P.T. threaded conduit entry.
- Suitable for both indoor and outdoor use when properly connected (enclosure type 2, 4, & 13).



Dimensions (L x W x H): 9.2" x 6.2" x 5.5"

Weight: 5 pounds

Finish: powder paint, safety orange

Enclosure ratings: IP-56; UL Type 2, 4, & 13

Foot switch safety warning — see page 35.

Model	Action*	Switch Circuits	Stages	Contacts, per Circuit	Electrical Rating	Circuit Diagram	Certification
G504-MO	Momentary	4	1	SPDT	10 A, 125/250 VAC 1/8 HP, 125 VAC 1/4 HP, 250 VAC .5 A, 125 VDC .25 A, 250 VDC		
G504-MA	Maintained	4	1	SPDT			
G504-AT	Anti-Trip	4	1	SPDT			
G504-MO-2S	Momentary	4	2	SPDT			
G504-AT-2S	Anti-Trip	4	2	SPDT			

\*Available with 3 action types: Momentary (press and hold to turn on, release to turn off), Maintained (press to turn on, push latch to turn off), and Anti-Trip (push forward safety latch before pressing down).

**HEAVY DUTY FOOT SWITCHES**



# DG500 DUAL BASE FOR G-SERIES

**Heavy-duty dual unit with two side-by-side or with open cover.**

**Design features:**

- Rugged steel base connects any combination of G-Series foot switches on a single platform.
- 12-gauge sheetmetal base with powder-painted finish.
- Durable bumper feet provide stability and shock-proofing; can be removed if the unit needs to be bolted to the floor.
- Handle provides an easy way to move the unit without bending down.
- Also available as a single guard with no center divider (-OC option).



Shown with -OC (Open Cover) option.

Dimensions, L x W x H: 12.2" x 10.5" x 6.3" (25" H w/ handle)

Weight (DG500-MO): 16 pounds

Finish: powder paint, safety orange

Model	Description
DG500	The DG500 can be equipped with any combination of G-Series foot switches. For example, a unit with two G500-MO foot switches mounted on the platform is model number DG500-MO. A unit with one G500-MO on the left side (when viewed from front) and one G502-MA on the right side is DG500-MO/G502-MA.
"-OC" option	Same as above, but with no center divider between the two foot switches (picture shown on the right). Specify with "-OC" at the end of the model number.



SSC Controls Company  
8909 East Avenue • Mentor, Ohio 44060 • USA • Phone 440-205-1600 • Fax 440-205-1700  
[www.ssccontrols.com](http://www.ssccontrols.com)

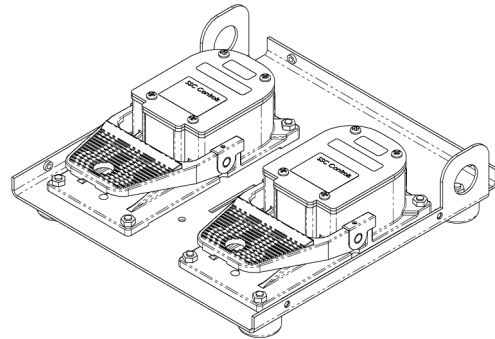


# BGX500 DUAL FOOT SWITCH

***Dual box enclosure with compartment in back for wiring.***

**Design features:**

- Can be equipped with any combination of GX-Series foot switches.
- Tough 12-gauge sheetmetal enclosure with powder-painted finish.
- Openings on either side for cable exit.
- Mounted on four heavy-duty 1.5"-diameter bumper feet.
- Left-side gate is optional (add "-GT" to the model number).
- Compartment in the back provides plenty of room for wiring.
- Four threaded holes on top can accommodate a riser for user interface, safety stop switch, or handle.



Cover removed to show inside of unit.



Dimensions, L x W x H: 12.2" x 12.0" x 6.4"

Weight (BGX500-MO): 22 pounds

Finish: powder paint, safety orange

Model	Description
BGX500	The BGX500 can be equipped with any combination of GX-Series foot switches. For example, a unit with two GX500-MO foot switches is model number BGX500-MO. A unit with one GX500-MO on the left side and one GX502-AT on the right side is model number BGX500-MO/GX502-AT.
BGX500-GT	Same as above, but also includes gate on left side. Add "-GT" to the end of the model number to include the gate.



# G-SERIES WITH FRONT GATE

**Front gate option provides an extra level of protection.**

**Design features:**

- Available as an option for all standard G-Series models.
- Add "-GT" to the end of any model number to specify.
- Gate prevents access to the pedal until it is lifted by the user's toe.
- Heavy-duty construction — ideal for tough industrial environments.
- Rubber bumper feet or bolt-down to floor or equipment.
- Can also be used with "-AT" Anti-Trip safety feature.




**Dimensions (L x W x H):** 9.2" x 6.2" x 5.8"

**Weight:** 6.4 pounds

**Finish:** powder paint, safety orange

**Enclosure rating:** IP-56; UL/CSA/NEMA Type 2, 4, & 13

Foot switch safety warning — see page 35.

Model	Action <sup>1</sup>	Switches	Stages	Contacts <sup>2</sup>	Electrical Rating	Certifications
G500-MO-GT	Momentary	1	1	SPDT	20 A, 125/250 VAC 1 HP, 125 VAC 2 HP, 250 VAC .5 A, 125 VDC .25 A, 250 VDC	 (Certified to CSA and UL standards)
G500-MA-GT	Maintained	1	1	SPDT		
G500-AT-GT	Anti-Trip	1	1	SPDT		
G502-MO-GT	Momentary	2	1	SPDT		
G502-MA-GT	Maintained	2	1	SPDT		
G502-AT-GT	Anti-Trip	2	1	SPDT		
G502-MO-2S-GT	Momentary	2	2	SPDT		
G502-AT-2S-GT	Anti-Trip	2	2	SPDT		
-GT Option	Can be used with any G-Series foot switch not shown above. Example: G503-MO-GT, G504-AT-GT, or G700-10K-S.					

**Note 1:** Available with 3 action types: Momentary (press and hold to turn on, release to turn off), Maintained (press to turn on, push latch to turn off), and Anti-Trip (push forward safety latch before pressing down).

**Note 2:** Contacts are for each switch. Units with two switches may be adjusted as DPDT circuitry or as two SPDT switches activating separately.





# CUSTOMER SERVICE

***Large or small, SSC has what it takes to meet your needs.***

- ***Same-day shipping for most items.***
- ***One-week lead time for special orders.***
- ***OEM pricing and customization.***
- ***Multiple shipping options.***
- ***Fast, friendly service.***
- ***Technical support ready to answer your questions.***
- ***SSC's commitment to respond to your call or email within one day.***



SSC Controls Company  
8909 East Avenue ♦ Mentor, Ohio 44060 ♦ USA ♦ Phone 440-205-1600 ♦ Fax 440-205-1700  
[www.ssccontrols.com](http://www.ssccontrols.com)



## Designed smart. Built to last. Versatile.

### Design features:

- Die-cast housing provides superior appearance and durability.
- Durable zinc alloy will not rust or easily break.
- Powder-painted black finish with bottom traction pad.
- Easy to hook up wiring.
- Includes two exterior mounting holes for bolt-down option.
- Adjustable strain relief connector is included.
- Model F300 can be used to control lighting (push on / push off).
- Model F222 (two stage) has an added force between each switch.



F200-1501 shown on left and F200-1502 shown on right.


Dimensions (L x W x H): 4.8" x 3.5" x 1.8"

Weight: 2.1 pounds

Finish: powder paint

Enclosure ratings: NEMA Type 1; IP-21

Foot switch safety warning — see page 35.

Model	Action	Switches	Electrical Rating, per Switch*	Cable	Cert.
F200	Momentary	1	15 A, 125/250 VAC	none	
F200-1501	Momentary	1	15 A, 125 VAC	cable with plug for outlet	
F200-1502	Momentary	1	15 A, 125/250 VAC	cable with leads	
F202	Momentary	2	15 A, 125/250 VAC; DPDT	none	
F222	Momentary, 2-Stage	2	15 A, 125/250 VAC; each stage SPDT	none	
F300	Maintained	1	20 A, 125 VAC; 10 A, 250 VAC	none	
F300-1501	Maintained	1	15 A, 125 VAC	cable with plug for outlet	
F300-1502	Maintained	1	15 A, 125/250 VAC	cable with leads	
F500	Momentary	1	20 A, 125/250 VAC (SPDT)	none	
F502	Momentary	1	10 A, 125/250 VAC (DPDT)	none	
F540	Momentary	1	15 A, 125/250 VAC; 1 A, 125 VDC; .5 A, 250 VDC (SPDT-DB)	none	

\*All switches have SPDT circuits except as noted. Units with cables are wired Normally Open (N.O.). Contact us for details about DC and horsepower ratings.



SSC Controls Company

8909 East Avenue • Mentor, Ohio 44060 • USA • Phone 440-205-1600 • Fax 440-205-1700

www.ssccontrols.com

# DF DUAL FOOT SWITCH

## Dual F-Series connected by a single cable.

### Design features:

- Can be used with any two F-Series foot switches.
- One cable exit point with connector tube to route wiring from one side to the other.
- Includes adjustable strain relief (fits up to .60" cable diameter).
- Sleek rounded design on a welded steel base.
- Easy to hook up wiring.
- Powder-painted black finish with bottom bumper feet.
- Four exterior mounting holes for bolt-down option.




Dimensions (L x W x H): 8.4" x 4.9" x 2.0"

Weight: 4.7 pounds

Finish: powder paint

Enclosure ratings: NEMA Type 1; IP-20

Foot switch safety warning — see page 35.

Model	Action	Electrical Rating, Each Side	Cable	Certification
DF200	Momentary	15 A, 1/2 HP, 125/250 VAC (SPDT); 0.1 A, 125 VDC	none	
DF500	Momentary	20 A, 125/250 VAC; 1 HP, 125 VAC; 2 HP, 250 VAC; .5 A, 125 VDC; .25 A, 250 VDC; 10 A, 125 VAC "L"	none	
DF(XXX)	Misc.	The "DF" dual base can be equipped with any combination of F-Series foot switches. For example, a unit with two F200s is model number DF200. A unit with a F300 on the left side (when viewed from front) and a F500 on the right side is model number DF300/F500.	none	

Note 1: See F-Series Product Information Sheet for details about specific F-Series models and ratings.

Note 2: To add a 12-gauge powder-painted steel guard in safety orange color, add "-DG" to the end of the model number. Example: DF200-DG.



# F-SERIES WITH GUARDS

## Guards to help protect against accidental actuation.

### Design features:

- Adds protection from debris and accidental actuation.
- Provides a secure location in which to position the foot.
- Tough, durable 12-gauge steel guard.
- Bolt-down holes included in the base.
- Includes non-skid rubber bumper feet.
- Available in any combination of F-Series foot switches (standard models listed below).



#### Single-Unit Guard (F200-G shown)

Dimensions, L x W x H: 6.0" x 6.0" x 5.5"

Weight: 5.7 pounds

Finish: powder paint, safety orange




#### Dual-Unit Guard (F200-DG shown)

Dimensions, L x W x H: 10.2" x 6.0" x 6.2"

Weight: 10.0 pounds

Finish: powder paint, safety orange

Foot switch safety warning — see page 35.

Model	Action	Electrical Rating, per Switch	Certification
F200-G	Momentary	15 A, 125/250 VAC	
F300-G	Maintained	20 A, 125 VAC; 10 A, 250 VAC (SPST)	
F500-G	Momentary	20 A, 125/250 VAC	
F200-DG	Momentary	15 A, 125/250 VAC (includes 2 units)	
F500-DG	Momentary	20 A, 125/250 VAC (includes 2 units)	
<p>Note: Can add any single F-Series unit to a single guard, or two units to a dual guard. The interlocked dual units with one cable exiting the unit becomes model number DFXXX-DG. See F-Series and DF-Series Product Information Sheets for more models.</p>			



SSC Controls Company

8909 East Avenue • Mentor, Ohio 44060 • USA • Phone 440-205-1600 • Fax 440-205-1700

www.ssccontrols.com

**Choose your foot switch supplier wisely... Choose SSC.**

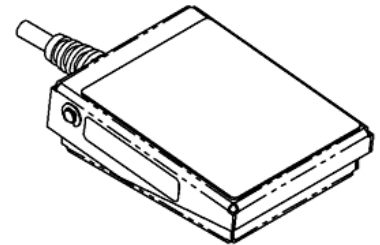
- ***Dedicated staff to meet or exceed your quality requirements.***
- ***Commitment to shipping all products with zero defects.***
- ***ISO 9001 quality system since 2000.***
- ***Corrective action system to respond to problems if they arise.***
- ***100% testing prior to shipment (Functional, Electrical, Hi-Pot, Visual).***
- ***Serialized nameplates provide complete traceability and test data.***
- ***Design validation process including CAD and prototype modeling.***
- ***Stable, fully-trained US workforce for consistent, everyday quality.***

# S100-SERIES FOOT SWITCH

***Incredibly durable; fantastic value. Solid steel shaft.***

**Design features:**

- Momentary action — press and hold to turn on, release to turn off.
- Durable steel case with powder-painted finish.
- Cover pivots on a steel shaft, providing smooth, precise motion.
- Wide, low-profile shape makes it easy on the user.
- Heel rests on the floor when using this switch.
- Heavy-duty cable with flexible strain relief.
- Non-slip traction pads.
- Certified to CSA and UL standards.



Dimensions, L x W x H: 4.6" x 3.5" x 1.4"

Weight (S100-1001): 1.4 pounds

IEC enclosure rating: IP-21; NEMA Type 1

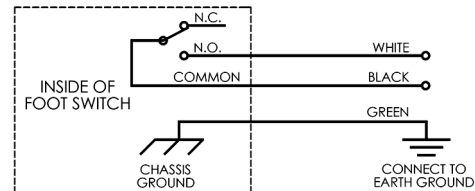
Finish: powder paint, black



Cable with 3-pronged series plug shown.

Models with 3-Pronged Plug: Plug into any standard 120V wall outlet, then plug your device into the back end of the plug.

Wiring Diagram for Models with Leads: Shown in at-rest or "off" position.



Foot switch safety warning — see page 35.

Model	Action*	Electrical Rating	Contacts	Cord Set	Certifications
S100-1001	momentary	10 A, 125 VAC	SPDT	8-foot cable with 3-pronged plug	
S100-1002	momentary	10 A, 125/250 VAC	SPDT	8-foot cable with leads	
S100-1501	momentary	15 A, 125 VAC	SPDT	8-foot cable with 3-pronged plug	
S100-1502	momentary	15 A, 125/250 VAC	SPDT	8-foot cable with leads	

\*Momentary action: Press and hold to turn on, release to turn off.



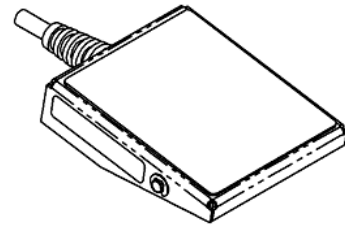


# S400-SERIES FOOT SWITCH

**Momentary or Maintained action in proven S-Series construction.**

**Design features:**

- Available in momentary or maintained action.
- Shaft is towards center of the unit, allowing rocker-style motion for maintained action (S420) or simple momentary action (S400).
- Durable steel case with powder paint and non-slip traction pads.
- Cover pivots on a steel shaft, providing smooth, precise motion.
- Wider, low-profile shape makes it easy on the user.
- Certified to CSA and UL standards.



Dimensions, L x W x H: 4.3" x 3.5" x 1.4"

Weight (S400-1001): 1.4 pounds

IEC enclosure rating: IP-21; NEMA Type 1

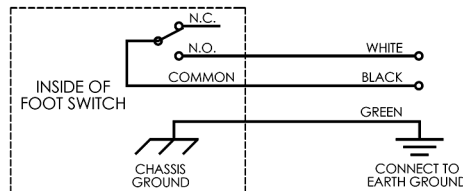
Finish: powder paint, black



Cable with leads shown.

Models with 3-Pronged Plug: Plug into any standard 120V wall outlet, then plug your device into the back end of the plug.

Wiring Diagram for Models with Leads: Shown in at-rest or "off" position.



Foot switch safety warning — see page 35.

Model	Action*	Electrical Rating	Contacts	Cord Set	Certifications
S400-1001	momentary	10 A, 125 VAC	SPDT	8-foot cable with 3-pronged plug	
S400-1002	momentary	10 A, 125/250 VAC	SPDT	8-foot cable with leads	
S400-1501	momentary	15 A, 125 VAC	SPDT	8-foot cable with 3-pronged plug	
S400-1502	momentary	15 A, 125/250 VAC	SPDT	8-foot cable with leads	
S420-1001	maintained	10 A, 125 VAC	SPDT	8-foot cable with 3-pronged plug	
S420-1002	maintained	10 A, 125/250 VAC	SPDT	8-foot cable with leads	
S420-1501	maintained	15 A, 125 VAC	SPDT	8-foot cable with 3-pronged plug	
S420-1502	maintained	15 A, 125/250 VAC	SPDT	8-foot cable with leads	

\*Momentary action: Press and hold to turn on, release to turn off.

Maintained action: Press once at front to turn on, press again at back to turn off (stays on until pressed again).

SSC Controls Company  
 8909 East Avenue • Mentor, Ohio 44060 • USA • Phone 440-205-1600 • Fax 440-205-1700  
 www.ssccontrols.com



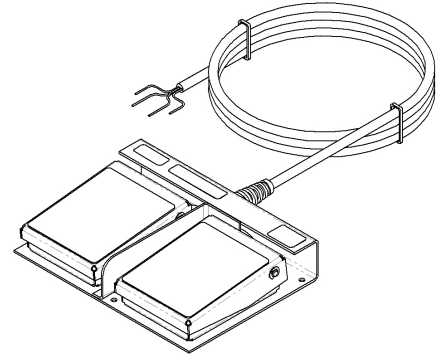
LIGHT DUTY FOOT SWITCHES

# DS100 AND DS100-DG

**Perfect for positioners, lift tables, and bi-directional applications.**

**Design features:**

- Equipped with two S100 foot switches wired together with a single cable.
- Unit is wired so both switches cannot be operated at the same time (neither switch will work if both are pressed).
- Ideal for any application involving forward/reverse, up/down, and other applications such as lift tables and pipe rollers.
- Heavy-duty cable with flexible strain relief.
- Non-slip 3M® traction pads or bumper feet.



Wiring (16 gauge / 4 conductor cable):  
 Right switch – white & black leads  
 Left switch – red & black leads  
 Chassis ground – green lead



**Model: DS100**

Dimensions, L x W x H: 8.0" x 5.9" x 1.8"

Weight: 5.1 pounds

Finish: powder paint, black




**Model: DS100-DG**

Dimensions, L x W x H: 10.2" x 6.0" x 6.2"

Weight: 8.5 pounds

Finish: powder paint, safety orange

Foot switch safety warning — see page 35.

Model	Action*	Electrical Rating	Cord	Certifications
DS100	momentary	13 A, 125/250 VAC	8-foot cable with leads	
DS100-DG	momentary	13 A, 125/250 VAC	8-foot cable with leads	

\*Momentary action: Press and hold to turn on, release to turn off. Both switches cannot be operated at the same time.



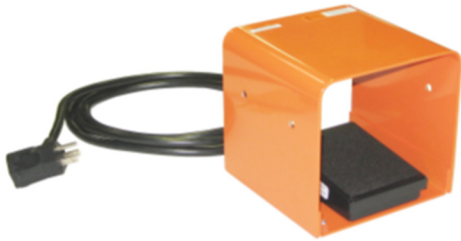
SSC Controls Company  
 8909 East Avenue • Mentor, Ohio 44060 • USA • Phone 440-205-1600 • Fax 440-205-1700  
[www.ssccontrols.com](http://www.ssccontrols.com)

# S-SERIES WITH GUARDS

**Guards help protect against accidental actuation.**

**Design features:**

- Tough, durable 12-gauge steel housing provides protection against debris and accidental actuation.
- Available in any combination of S-Series foot switches (standard models listed below).
- Bolt-down holes included in the base.
- Includes rubber bumper feet.



**Single-Unit Guard (S100-1501G shown)**

Dimensions, L x W x H: 6.0" x 6.0" x 5.5"

Weight: 5.4 pounds

Finish: powder paint, safety orange



**Dual-Unit Guard (S100-1502DG shown)**

Dimensions, L x W x H: 10.2" x 6.0" x 6.2"

Weight: 8.4 pounds

Finish: powder paint, safety orange

Foot switch safety warning — see page 35.

Model	# of Switches	Electrical Rating	Cord	Certifications
S100-1501G	1	15 A, 125 VAC	8-foot cable with plug for outlet	
S100-1502G	1	15 A, 125/250 VAC	8-foot cable with leads	
S420-1501G	1	15 A, 125 VAC	8-foot cable with plug for outlet	
S100-1501DG	2	15 A, 125 VAC	8-foot cables with plug for outlet	
S100-1502DG	2	15 A, 125/250 VAC	8-foot cables with leads	
DS100-DG	2	13 A, 125/250 VAC	single 8-foot cable with leads	

S100 and DS100 models have Momentary Action: Press and hold to turn on, release to turn off.

S420 has Maintained Action: Press front to turn on, press rear to turn off.





## Compact footprint in a long-lasting industrial switch.

### Design features:

- Compact size and weight allows use in tight spots.
- Durable steel housing provides toughness and long life.
- Powder-painted black finish with bottom traction pad.
- Available either pre-wired or user-installed wiring.
- B850 and B950 models have two mounting holes to secure to floor or equipment.
- Ideal for a variety of industrial, shop, and office environments.



B800 and B900 models include a rubber traction pad on the base.



B800-1501 shown on left and B850-1502 shown on right.



B850 and B950 models include a two-hole mounting bracket.

Dimensions (L x W x H): 3.0" x 2.6" x 1.2"

Weight: .5 pounds (without cable)

Finish: powder paint

Enclosure: NEMA Type 1; IP-20 (IEC 60529)

Foot switch safety warning — see page 35.

Model	Electrical Rating, per Switch*	Base/ Mounting	Cable
B800-1501	15 A, 125 VAC	traction pad	cable with plug for outlet
B800-1502	15 A, 125/250 VAC	traction pad	cable with leads
B850-1501	15 A, 125 VAC	2-hole mounting plate	cable with plug for outlet
B850-1502	15 A, 125/250 VAC	2-hole mounting plate	cable with leads
B900	20 A, 125/250 VAC	traction pad	none
B950	20 A, 125/250 VAC	2-hole mounting plate	none

\*All switches have SPDT circuits. Units with cables are wired Normally Open (N.O.). Also available with double-break (DB) or DPDT circuitry upon special request. Contact us for details about DC and horsepower ratings.



# B-SERIES WITH GUARDS / DUAL

**Add a guard or dual base for more options.**

**Design features:**

- Guards feature tough, durable 12-gauge steel housing.
- Available in any combination of B-series foot switches.
- Bolt-down holes included in the base.
- Includes rubber bumper feet.

**Single Guard (-G)**

Dimensions, L x W x H: 6.0" x 6.0" x 5.5"

Weight: 4.8 pounds

Finish: powder paint, safety orange

(Dual guard also available.)



**DB (Dual-Base) B-Series**

Dimensions, L x W x H: 8.4" x 4.9" x 1.5"

Weight: 1.9 pounds

Finish: powder paint, safety orange



Model	Description
DBXXX (Dual Base)	The "DB" dual base can be equipped with any combination of B-Series foot switches (for models B850 and B950 only). For example, a unit with two B950s is model number DB950. A unit with two B850-1501s is model number DB850-1501. Note: Does not include a guard.
BXXX-G (Single Guard)	Add "-G" to the end of the model number (for models B850 and B950 only). Adds a durable 12-gauge steel housing. The guards provide a comfortable housing in which to locate the foot, as well as protect the switch from debris.
BXXX/BXXX-DG (Dual Guard)	Add "-DG" to the end of the model number (for models B850 and B950 only). Adds a durable 12-gauge steel housing. The guards provide a comfortable housing in which to locate the foot, as well as protect the switch from debris. Add unit on left (when viewed from front) to first part of model number, and add unit on right to second part of model number. If both units are the same, list only that model number followed by "-DG."

LIGHT DUTY FOOT SWITCHES

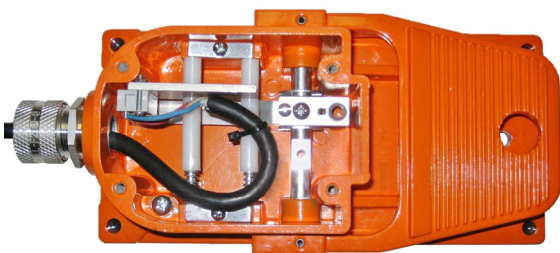


# G700 SERIES

**Gearless design eliminates backlash for immediate feedback and smooth operation.**

**Design features:**

- High-life linear variable resistance output.
- 20 amp @ 125/250 VAC Honeywell® switch ("-S" models only).
- Adjustable switch activation point.
- Oversized guard opening.
- 3/4"-14 N.P.T. threaded conduit entry.
- Powder-painted Safety Orange finish.
- Mounting holes with optional 3M® bumper feet.
- Supplied without wiring.



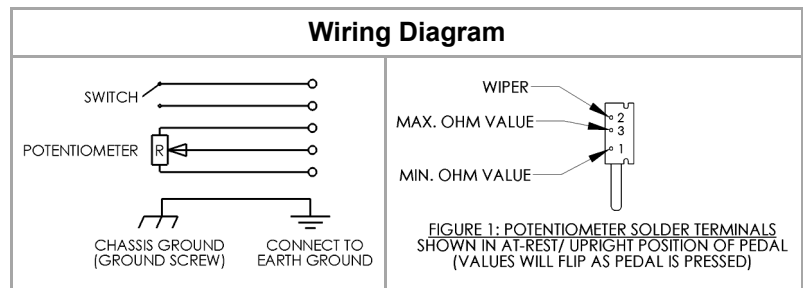
Dimensions (L x W x H): 9.2" x 6.2" x 5.5"

Weight: 5 pounds

Finish: powder paint, safety orange

Enclosure rating: IP-56; NEMA Type 2, 4, & 13

Wiring Instructions: Wiring should be routed as shown. Secure with cable tie so wires cannot contact moving parts. Picture shows model G700-1K.



Foot switch safety warning — see page 35.

Model	Action	Potentiometer	Switch Rating	Contacts, per Switch
G700-1K	momentary	1,000 ohm, 1/4 watt	not applicable	not applicable
G700-5K	momentary	5,000 ohm, 1/4 watt	not applicable	not applicable
G700-10K	momentary	10,000 ohm, 1/4 watt	not applicable	not applicable
G700-1K-S	momentary	1,000 ohm, 1/4 watt	20 A, 125/250 VAC	SPDT
G700-5K-S	momentary	5,000 ohm, 1/4 watt	20 A, 125/250 VAC	SPDT
G700-10K-S	momentary	10,000 ohm, 1/4 watt	20 A, 125/250 VAC	SPDT

**Notes:** 1) Momentary action: Press and hold at desired level to use; spring returns upright upon release.  
 2) Resistance tolerance ±10%. 400 V(dc) max. input voltage (not to exceed power rating).



SSC Controls Company  
 8909 East Avenue • Mentor, Ohio 44060 • USA • Phone 440-205-1600 • Fax 440-205-1700  
[www.ssccontrols.com](http://www.ssccontrols.com)



# L SERIES AND M SERIES

**Ergonomic design fits the user's whole foot. Heel rest available.**

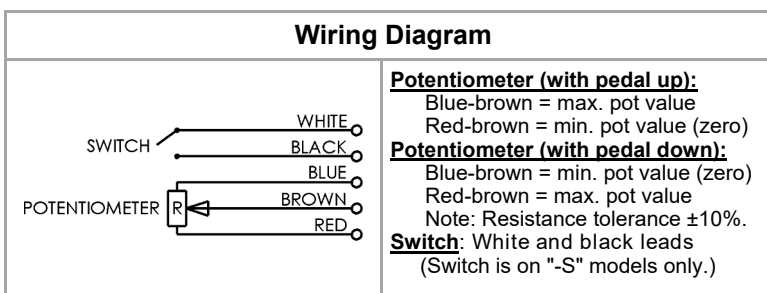
**Design features:**

- Durable, heavy-duty design with smooth pedal action.
- Oversized top traction area fits the whole foot.
- High-life, 2-watt potentiometers with high-resolution output.
- Comfortable angle of operation makes it easy on the user.
- Optional switch circuit is available on momentary models.
- Comes pre-wired.

Dimensions (L x W x H): 8.8" x 5.5" x 4.1"; 4.2 pounds

IEC enclosure rating: IP-21

Construction: Steel with powder paint; non-slip traction pads.



Foot switch safety warning — see page 35.

Model	Action	Potentiometer	Switch	Cord
L1000	momentary	1,000 ohm, 2 watt, 125 VAC	n/a	8-foot cable with leads
L5000	momentary	5,000 ohm, 2 watt, 125 VAC	n/a	8-foot cable with leads
L10,000	momentary	10,000 ohm, 2 watt, 125 VAC	n/a	8-foot cable with leads
L1000-S	momentary	1,000 ohm, 2 watt, 125 VAC	yes (see note 4)	8-foot cable with leads
L5000-S	momentary	5,000 ohm, 2 watt, 125 VAC	yes (see note 4)	8-foot cable with leads
L10,000-S	momentary	10,000 ohm, 2 watt, 125 VAC	yes (see note 4)	8-foot cable with leads
M1000	maintained	1,000 ohm, 2 watt, 125 VAC	n/a	8-foot cable with leads
M5000	maintained	5,000 ohm, 2 watt, 125 VAC	n/a	8-foot cable with leads
M10,000	maintained	10,000 ohm, 2 watt, 125 VAC	n/a	8-foot cable with leads

- Notes:**
- 1) Momentary action: Press and hold at desired level to use; spring returns upright upon release.
  - 2) Maintained action: Stays in place once you set it; pedal will not move until further adjustment.
  - 3) Other resistance values may be available. Check with SSC for availability.
  - 4) Switch circuit is rated for extra low voltage (ELV) control circuits only (circuits electrically isolated from the main line).

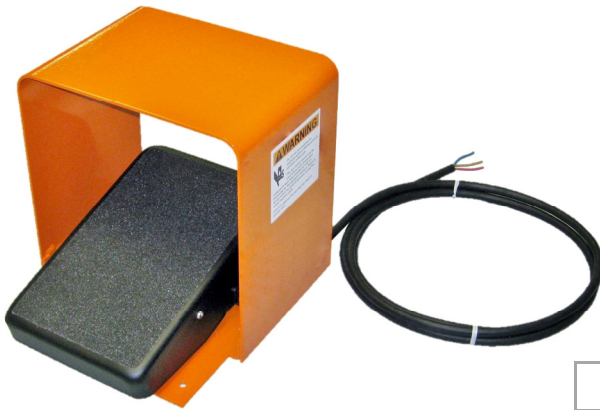


# LAND M SERIES WITH GUARD

**Guard helps protect against falling objects.**

**Design features:**

- “-G” Guard Option adds powder painted 12-gauge steel guard.
- Durable, heavy-duty design with smooth pedal action.
- Oversized top traction area fits the whole foot.
- High-life, 2-watt potentiometers with high-resolution output.
- Also includes bottom traction pad and four .22"-diameter holes for bolt-down option.

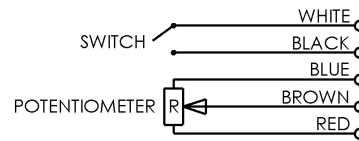


Dimensions (L x W x H): 9.4" x 8.2" x 8.1"; 10.7 pounds

IEC enclosure rating: IP-21

Construction: Steel, powder paint; non-slip traction pads

**Wiring Diagram**



**Potentiometer (with pedal up):**  
 Blue-brown = max. pot value  
 Red-brown = min. pot value (zero)

**Potentiometer (with pedal down):**  
 Blue-brown = min. pot value (zero)  
 Red-brown = max. pot value  
 Note: Resistance tolerance ±10%.

**Switch:** White and black leads  
 (Switch is on "-S" models only.)

Foot switch safety warning — see page 35.

Model	Action	Potentiometer	Switch	Cord
L1000-G	momentary	1,000 ohm, 2 watt, 125 VAC	n/a	8-foot cable with leads
L5000-G	momentary	5,000 ohm, 2 watt, 125 VAC	n/a	8-foot cable with leads
L10,000-G	momentary	10,000 ohm, 2 watt, 125 VAC	n/a	8-foot cable with leads
L1000-S-G	momentary	1,000 ohm, 2 watt, 125 VAC	yes (see note 4)	8-foot cable with leads
L5000-S-G	momentary	5,000 ohm, 2 watt, 125 VAC	yes (see note 4)	8-foot cable with leads
L10,000-S-G	momentary	10,000 ohm, 2 watt, 125 VAC	yes (see note 4)	8-foot cable with leads
M1000-G	maintained	5,000 ohm, 2 watt, 125 VAC	n/a	8-foot cable with leads

- Notes:**
- 1) Momentary action: Press down and hold at desired level to use; spring returns upright upon release.
  - 2) Maintained action: Stays in place once you set it; will not move until further adjustment.
  - 3) Other resistance values may be available. Check with SSC for availability.
  - 4) Switch circuit is rated for extra low voltage (ELV) control circuits only (circuits electrically isolated from the main line).



SSC Controls Company  
 8909 East Avenue • Mentor, Ohio 44060 • USA • Phone 440-205-1600 • Fax 440-205-1700  
[www.ssccontrols.com](http://www.ssccontrols.com)

***Inside or outside, SSC foot switches stand up to the elements.***



SSC Controls Company  
8909 East Avenue ♦ Mentor, Ohio 44060 ♦ USA ♦ Phone 440-205-1600 ♦ Fax 440-205-1700  
[www.ssccontrols.com](http://www.ssccontrols.com)





# C800 SERIES TIG FOOT PEDALS

**SSC's rugged TIG welding controls are the industry standard.**

The C800 TIG welding foot controls set the standard for quality and durability in the United States. The patented design guarantees that your pedal will start you at your low-amp setting when your contactor kicks on.

We've designed this pedal to be comfortable all day long—and to give you precise control throughout the range. The steel is drawn out and painted in town. The cable is made in Indiana, and the DuPont Delrin gearbox is molded in Ohio. The SSC TIG Control is built to last.

Dimensions, L x W x H: 8.8" x 5.5" x 4.1"

Weight, pounds: 5.2

Certification: CSA NRTL/C for some models

US Patent: 5,535,642

Options:

- -C: Hand-polished Chrome.
- -HR: Heel Rest fits any boot.
- -CB: Carrier Base for cable-routing and 2-ft. handle.



SSC makes TIG Foot Controls for most welders on the market. Many of these are listed below. The numbering system is simple: the first 4 designate the manufacturer of the welder, the next two numbers indicate the number of pins on the plug, and the last 2 digits indicate cable length. So the C810-1425 has 14 pins (even though only 5 are actually used), and includes a 25-foot cable length. See our website or call for additional models.

Model Number	SSC TIG Foot Control is for	Replaces OEM Part
C810-1425	All 14-pin Miller® and Hobart® TIG welders.	RFCS-14 (043554) -14HD (194744)
C810-0525	Miller® Syncrowave 300 and others. 5-pin plug.	RFCS-5 (043716) RFCS-5HD(195218)
C810-0625	Miller® Maxstar 150 STH, 150 STL, Multimatic 200. 6-pin.	RFCS-6M (195183 and 195504)
C810-0814	Miller® Diversion 165 & 180, Hobart EZ-TIG 165i.	RFCS-RJ45 (300432) and 245589
C820-0625	All 6-pin Lincoln® welders.	K870 (L8118-4)
C820-0525	Lincoln® Idealarc 300/300 welders. 5 pin plug.	K772 (L8118-3), L3963
C840-0725	Cigweld® welders with a 7-pin connector.	646321
C850-0825	Thermal Arc®, Victor®, Tweco®, or Cigweld® with 8-pin.	10-4015, 10-4016, 600285, W4015800
C860-0625	ESAB®, Airco®, or Linde® with rectangular .6-pin	FC-4 (13880043)
C860-1430	All ESAB® with a 14-pin plug.	FC-5B (33646) FC-5C (0558004234)
C870-1025	Hobart® with 10-pin plug like the CyberTIG.	409004A, 200460-001, and 362668
C880-0725	Kemppi® with a 7-pin connector.	R11F
C880-1425	Powcon® 14-pin TIG welders.	
C890-0625	Linde® UCC-305. 2 plugs, each with 3-pins.	679662
C925-0725	Everlast power supplies with 7-pin plug. 25K ohm pot.	
C950-0725	Everlast power supplies with 7-pin plug. 50K ohm pot.	
C910-0725	AHP with 7-pin plug.	
C930-0525	Jasic Razorweld 5-pin plug.	
C970-0525	CK MT-200. 5 pin plug.	

SSC Controls Company  
 8909 East Avenue • Mentor, Ohio 44060 • USA • Phone 440-205-1600 • Fax 440-205-1700  
[www.ssccontrols.com](http://www.ssccontrols.com)



# R800 SERIES AND PARTS

## ***Hand control for remote current and contactor control.***

### **Design features:**

- The R800 hand controls provide a solution when you want to control the welding current and contactor without going back to the front of the welding machine to adjust the amperage.
- A typical application is stick welding 50 feet away from your welding machine.
- Tough, durable steel housing.
- Neoprene control cable — the most durable cable jacket on the market.
- 3M® rubber bumper feet for traction; prevents scratching your power source.
- R810-1425 replaces Miller® RHC-14 (p/n 129340 or 242211020).
- Available configured for all major welder brands.

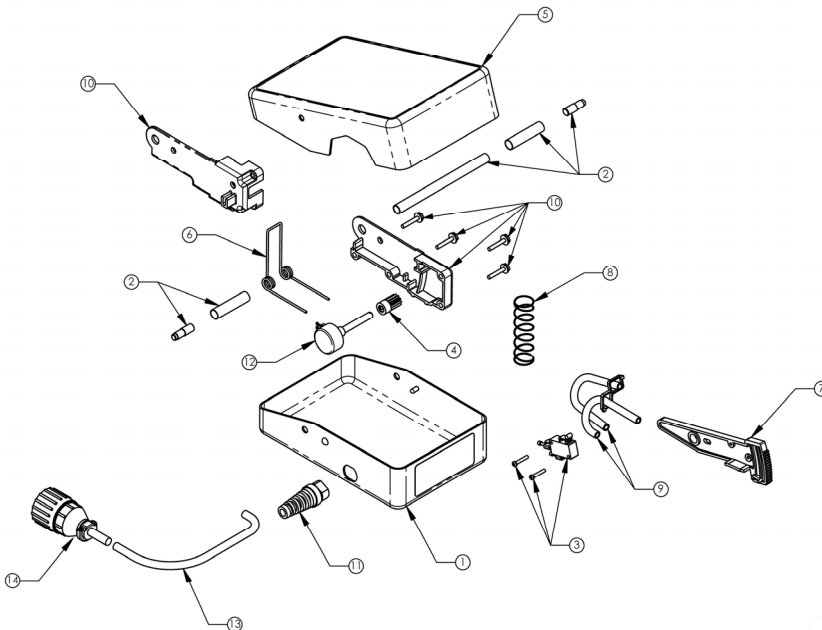


Dimensions, L x W x H: 4.2" x 4.0" x 3.8"

Weight, pounds: 2.6

Finish: Powder paint, black

## ***Replacement parts are available for many machines.***



SSC Controls Company  
8909 East Avenue • Mentor, Ohio 44060 • USA • Phone 440-205-1600 • Fax 440-205-1700  
www.ssccontrols.com



# GLOSSARY

## Foot Switch Pedal Action

Term	Description
Momentary Action	Press and hold to turn on, release to turn off (like a car horn). The user must continue to hold the pedal down to keep it on. As soon as the user lifts his or her foot, the unit will turn off.
Maintained Action	Press once to turn on, press again to turn off (like a light switch). The foot switch will stay on until the user presses the control again to turn it off. The user can remove his or her foot from the foot pedal unit ready change it back to the original position.
Anti-Trip Safety Feature (G-Series only)	The user must press forward a safety latch inside the hood before pressing down on the lever to turn it on. These units then have a momentary action; the user must keep the pedal pressed down in order to keep it on.

## Electrical Terms – General

Current (Amperage) Rating	The amount of electrical current that will flow through the circuit will determine the amperage rating required for the switch and cable. The current rating for the switch must be higher than the current rating of the circuit, and a safety factor is typically required. The current and voltage rating for input (mains) power for a device should be available on the equipment's rating plate. Consult a certified electrician with any questions to determine the amperage, voltage, and electrical requirements for your application.
Voltage Rating	The working voltage at which a device is designed to be used; may be either AC (alternating current) or DC (direct current). Typical voltages in the US for AC input power are 120 and 240 VAC. Typical voltages for DC circuits are 3, 6, 12, 24, and 48 VDC.
Variable Resistance	Variable resistance devices use a potentiometer to provide a control signal for the equipment that they are attached to. They are not connected directly to mains power, but rather to a reduced control circuit used only for variable input. If all three terminals of a potentiometer are used, the foot control can act as a voltage divider circuit. If only two terminals are used (one side and the wiper), the foot control acts as a variable resistor.

## Circuit Diagrams

SPDT	DPDT	TPDT	SPDT-DB





## Electrical Terms – Types of Contacts

Term	Description
SPDT Contacts	Most SSC foot switches with one switch in them have SPDT (single-pole double-throw) contacts, which have terminals including common, normally open, and normally closed. Also called “Form C” contacts.
SPST-NO Contacts	These contacts close when the foot switch is pressed. This is the most common circuit, one in which the circuit is “off” until the foot switch is pressed, at which point it turns on. Also called “Form A” contacts.
SPST-NC Contacts	The opposite of SPST-NO, this circuit is closed in the at-rest position, and will open or turn off only when the foot switch is pressed. Also called “Form B” contacts.
DPDT Contacts	Equivalent to two SPDT contacts operated by one control.
Double Break Contacts (SPDT-DB)	Double break contacts open and close at two separate places in the circuit. Because they make contact at two points, instead of just one, DB contacts dissipate heat more readily, providing longer switch life, enabling the switch to have improved performance in DC circuits, and typically handle higher voltages. A SPDT-DB switch must be used on circuits of the same polarity. Also called “Form Z” contacts.

## Electrical Terms – Contact Definitions

Common (C)	The Common terminal provides a path to the N.C. or N.O. terminals for a SPDT switch.
Normally Closed (N.C.)	The N.C. terminal is connected to the common terminal in the at-rest position of the foot switch, and will open (or turn “off” if wiring is connected) only when the foot switch is pressed.
Normally Open (N.O.)	The N.O. terminal is not connected until the foot switch is pressed, at which point the contacts close and allow current to flow from the common terminal to the N.O. terminal. Most SSC foot switches are shipped with the wiring set to Normally Open, meaning the switch is open or “off” until it is pressed, at which point the circuit closes and current can flow.
Number of Poles	The Number of Poles determines the number of circuits that will be switched. For example, a single pole (SP) switch will make and break one circuit, while a double pole switch (DP) will make and break two circuits.
Number of Throws	The Number of Throws is the number of separate wire paths the switch can direct for each pole. Most SSC switches have double throw (DT) contacts, meaning there is a common wire, one that can be wired normally open (N.O.), and one that can be wired normally closed (N.C.).



# IP RATING GUIDE

IP stands for ingress protection – the rating of an enclosure against outside elements (such as rain, or to keep fingers away from electrical circuits). IP ratings are specified by European Standard IEC 60529, which is often used in the United States when evaluating enclosures.

All ratings start with the letters IP, followed by two numbers...

1st	Protection against foreign objects	2nd	Protection against water
0	Not protected	0	Not protected
1	Protected against objects greater than 50 mm diameter	1	Protected against water dripping vertically onto the unit
2	Protected against objects greater than 12 mm diameter	2	Protected against dripping water when tilted up to 15 degrees
3	Protected against objects greater than 2.5 mm diameter	3	Protected against spraying water
4	Protected against objects greater than 1.0 mm diameter	4	Protected against splashing water
5	Dust protected	5	Protected against water jets
6	Dust tight	6	Protected against heavy seas
n/a	----	7	Protection against the effects of immersion
n/a	----	8	Protection against submersion

# NEMA ENCLOSURE RATINGS

(similar to UL and CSA)

Definitions (from NEMA 250-2003):

In Non-Hazardous Locations, the specific enclosure Types, their applications, and the environmental conditions they are designed to protect against, when completely and properly installed, are as follows:

Type 1 - Enclosures constructed for indoor use to provide a degree of protection to personnel against access to hazardous parts and to provide a degree of protection of the equipment inside the enclosure against ingress of solid foreign objects (falling dirt).

Type 2 - Enclosures constructed for indoor use to provide a degree of protection to personnel against incidental contact with the enclosed equipment, to provide a degree of protection against falling dirt, and to provide a degree of protection against dripping and light splashing of non-corrosive liquids.

Type 4 - Enclosures constructed for either indoor or outdoor use to provide a degree of protection to personnel against incidental contact with the enclosed equipment; to provide a degree of protection against falling dirt, rain, sleet, snow, windblown dust, splashing water, and hose-directed water; and that will be undamaged by the external formation of ice on the enclosure.

Type 13 - Enclosures constructed for indoor use to provide a degree of protection to personnel against incidental contact with the enclosed equipment; to provide a degree of protection against falling dirt; against circulating dust, lint, fibers, and flyings; and against the spraying, splashing, and seepage of water, oil, and non-corrosive coolants.



SSC Controls Company  
8909 East Avenue • Mentor, Ohio 44060 • USA • Phone 440-205-1600 • Fax 440-205-1700  
[www.ssccontrols.com](http://www.ssccontrols.com)

# WARRANTY COMMITMENT

You have the right to expect that the foot switches that you purchase will be free of defects in workmanship and material. We stand behind the high quality of our products and offer a minimum one-year warranty on parts and labor. The fine detail:

The Seller warrants that products manufactured and sold by the Seller shall be in accordance with the Seller's specifications and free from defects in material and workmanship for a period of one (1) year from the date of delivery to the Buyer, if used under normal circumstances, and provided any defect(s) are not the result of: (a) installation method; (b) customer or third-party abuse or misuse; (c) failure to adhere to Seller's instructions; or (d) wear or deterioration due to environmental conditions. Alteration or modification of the product as delivered initially to the Buyer from the Seller (beyond standard installation requirements) will also void this warranty.

The above is the sole and exclusive warranty of the Seller; there are no other warranties, either express or implied, as to any matter whatsoever, including, without limitation, the implied warranties of merchantability or fitness for particular purpose. The sole and exclusive remedy of Buyer for any breach of warranty by Seller shall be that Seller shall provide, upon confirmation of the defective condition of the subject unit, repair or replacement for each defective unit manufactured and sold by Seller to Buyer, to be determined by the Seller, at no cost to the buyer except shipping charges of the product from the Buyer to the Seller.

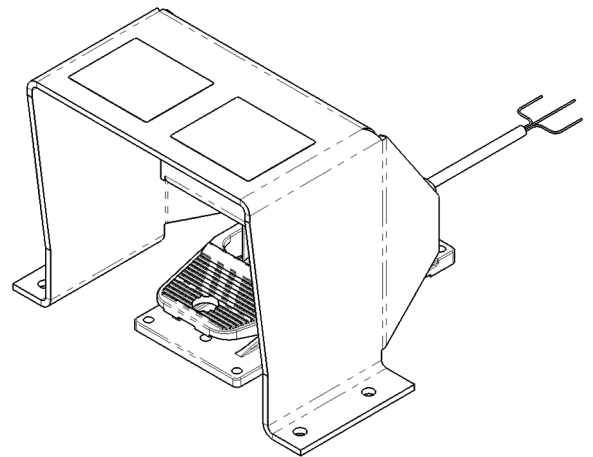
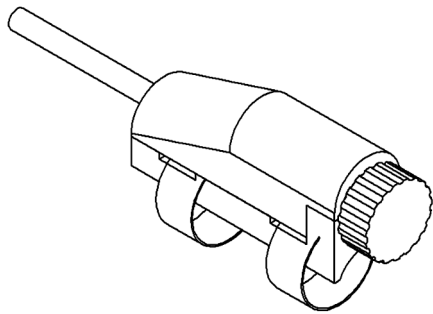
In no event shall seller be liable for consequential or indirect damages, economic losses, loss of use, lost profits, down time, or damages due to delay, whether by reason of breach of warranty, breach of contract, negligence, strict liability, or otherwise.

# SATISFACTION GUARANTEE

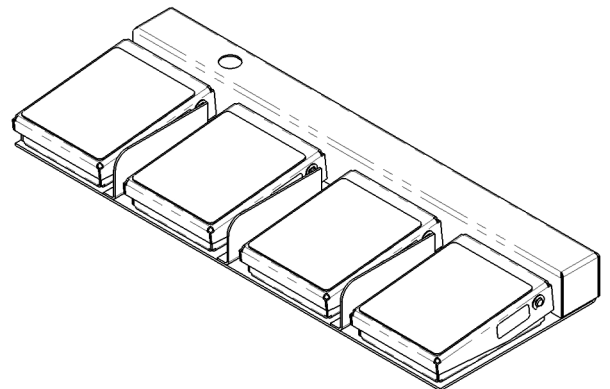
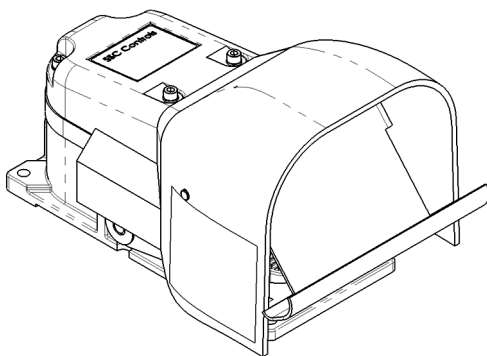
The SSC Controls Company is committed to providing quality products to our customers. If you are not satisfied with a product that you have purchased within 30 days of your receipt of the product, and the product has been maintained in its original saleable condition, simply return it to SSC Controls and we will refund the purchase price of the product (not including shipping costs). Returned product which is received by SSC Controls in used or otherwise damaged condition will be subjected to repair costs which will be paid by the buyer and / or may not be accepted for repair or return, at SSC's discretion. Customized or special items will be subject to a return processing fee. Please call 1-440-205-1600 to obtain a returned goods authorization (RGA) number if you would like to return a product.







Standard and Custom  
Solutions to Fit Your  
Application.



SSC Controls Company  
8909 East Avenue ♦ Mentor, Ohio 44060 ♦ USA ♦ Phone 440-205-1600 ♦ Fax 440-205-1700  
[www.ssccontrols.com](http://www.ssccontrols.com)

# FOOT SWITCH SAFETY

## WARNING

**To avoid personal injury, do not use foot switches on machinery lacking effective point-of-operation safeguards.**

The use of foot switches on machines that do not have “point of operation” and “pinch point” protection can cause serious injury to the operator.

Point of operation and pinch point guarding devices should be properly installed before a foot switch is used. Do not use foot switches on machinery lacking effective point-of-operation safeguards.

Foot switches should be utilized so that it is impossible for the operator’s hands and fingers to remain within the point of operation during the machine cycle.

A foot switch should be installed only by a qualified electrician according to all local and national electrical safety regulations.

### **Definitions:**

Point of operation — The point or area of the machine or the equipment where the work piece or material is positioned and work is being performed during any process, such as forming, cutting, punching, shearing, assembling, riveting, welding, etc.

Pinch point — Any point at which it is possible for any portion of the body to be caught and injured between moving machine, equipment, or work piece parts.

### **Foot Switch Usage and Selection Notice**

It is the responsibility of the user to select the foot switch which is suitable for his or her application, and to ensure that its use and installation complies with all Federal, State, and Local safety and health regulations, including OSHA, ANSI, NEMA, or other relevant national standards.

Only the user can be aware of all conditions and factors present during installation, operation, and maintenance of the foot switch and surrounding work area. Therefore, only the user can determine which foot switches and which point-of-operation safeguards can properly be used in a particular application or work station.

Foot switches can be used to control many industrial processes, which often leave the operator's hands free to perform other functions. The type of foot switch suitable for each application will vary depending on the type of control required, electrical requirements, degree of protection required, workplace conditions, government regulations, and other factors.

If you have any questions, if any of the above is unclear, or if you would like to request additional copies of this document, please contact The SSC Controls Company.

---

## ***Notice of changes***

The SSC Controls Company reserves the right to change the contents of this catalog without further notice to the user.

## The SSC Controls Company

8909 East Avenue  
Mentor, Ohio 44060 USA

Phone 440-205-1600  
Fax 440-205-1700

[www.ssccontrols.com](http://www.ssccontrols.com)